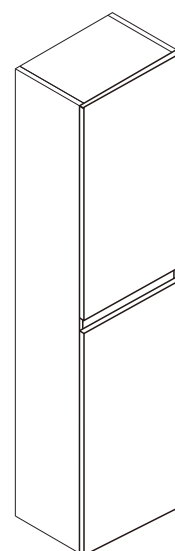
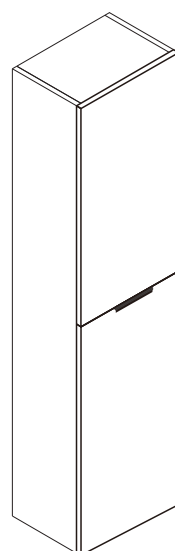
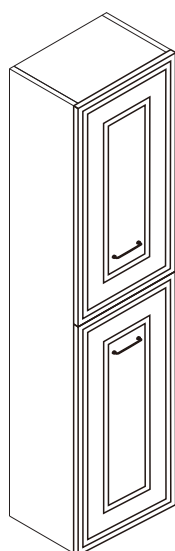
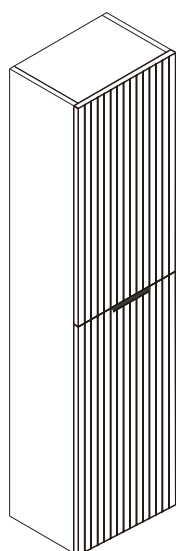
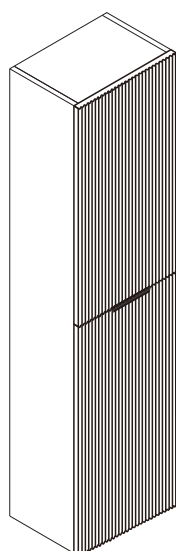
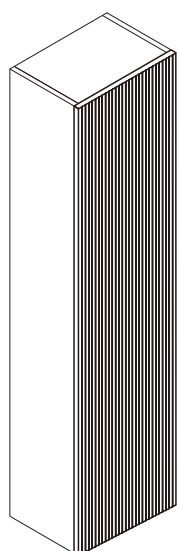
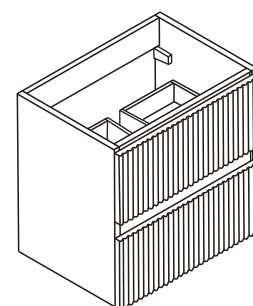
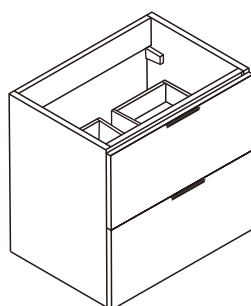
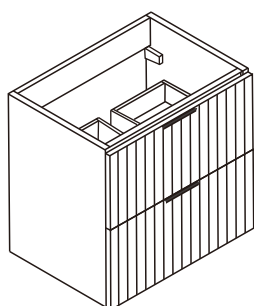
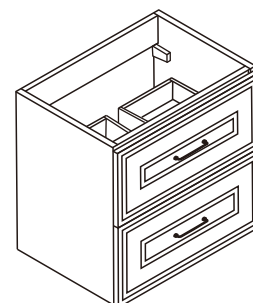
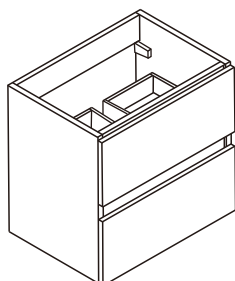
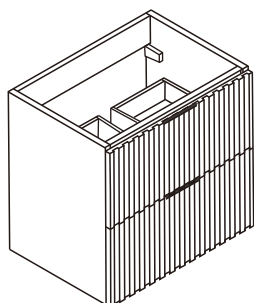


USER MANUAL



Thank you for choosing **HOMEDEPO**
Please read this manual before installing your product
and keep for future reference.

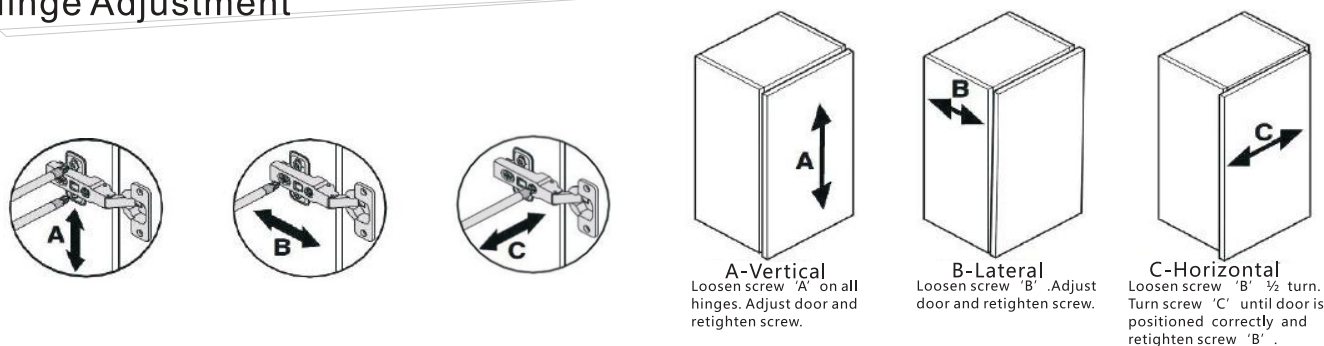


- **Multi person assembly**
- **Tools required**
- **We always recommend using professional tradespeople to install your product**

Please spend 5 minutes reading this section before commencing with the installation of your new furniture.

1. Should any of your items have a defect, please do NOT install as returns will not be accepted once fitted.
2. We advise that you use a qualified person to install your units, as any issues relating to poor fitting will not be accepted by the supplier.
3. You have purchased a handmade and in some cases hand painted product. Therefore, you may see some slight imperfections which the supplier may deem as acceptable.
4. This product is water resistant but NOT waterproof. On no account should any spillages or splashes, even water, be allowed to lie on any surface. All spillages and splashes should be wiped dry, failure to do so may shorten the life expectancy of the product and invalidate any guarantees.
5. Please avoid direct sunlight as this will cause the painted surfaces to discolour.
6. Due to motion in transit, the cabinet doors and drawers may need to be adjusted after installation.
7. Floor Standing units must be fitted back to the wall through the backrail using suitable fixings. (not supplied)
8. Basin units should be fitted as above. The basin should also be secured where applicable using Fischer bolts through the fixing points under the basin. (not supplied) Note that not all basins have this facility.
9. Wall Hung units must be secured back to the wall using the wall hanging brackets or suitable wall fixings when not supplied. Additional support is recommended using 'L' brackets. (not supplied)
10. When fixing to a stud or panelled wall, appropriate frame work should be installed to support the basins and units.
11. Where units or worktops have to be cut-out for services, all raw edges MUST be sealed against water ingress.

Hinge Adjustment

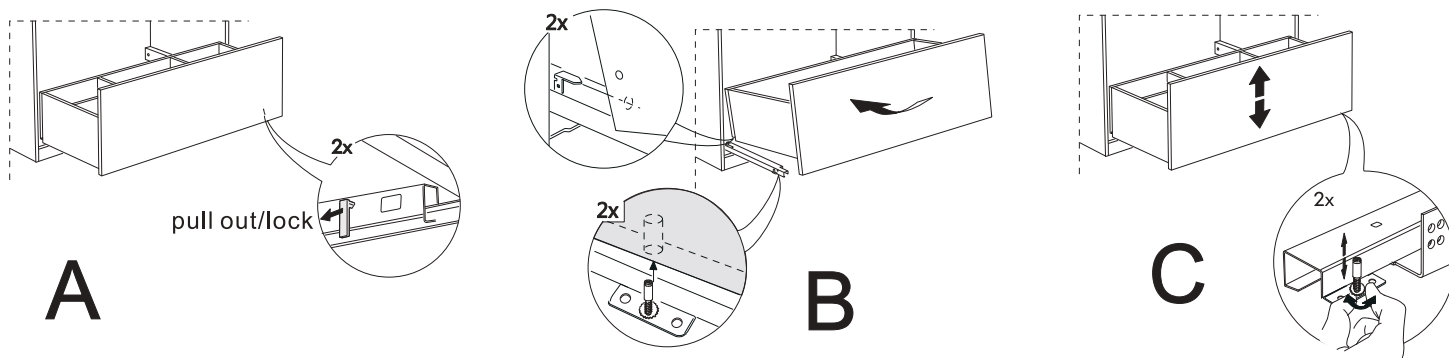


Drawers Remove/Install

To Remove the Drawer: Follow step 'A' and remove the fastener then follow step 'B'.

To Install the Drawer: Follow step 'B' and then follow step 'A' to lock the fastener.

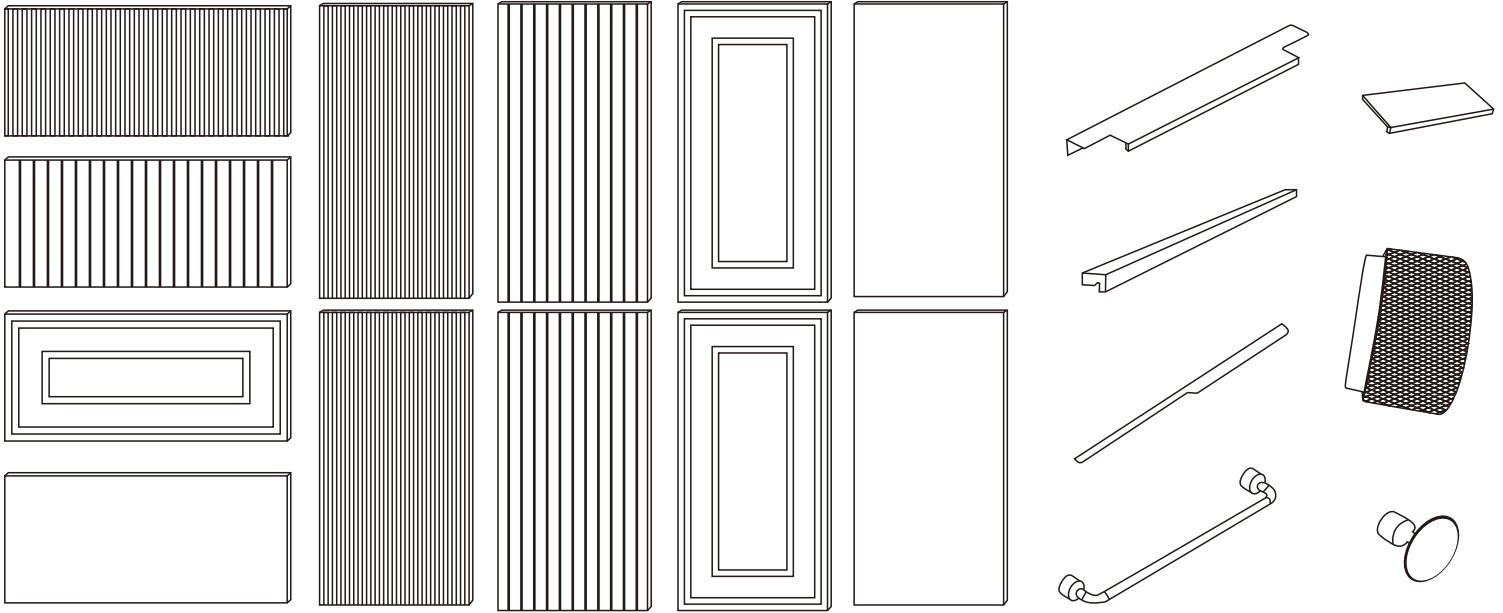
Drawer position: If drawer position needs altering follow step 'C' to adjust the screw.



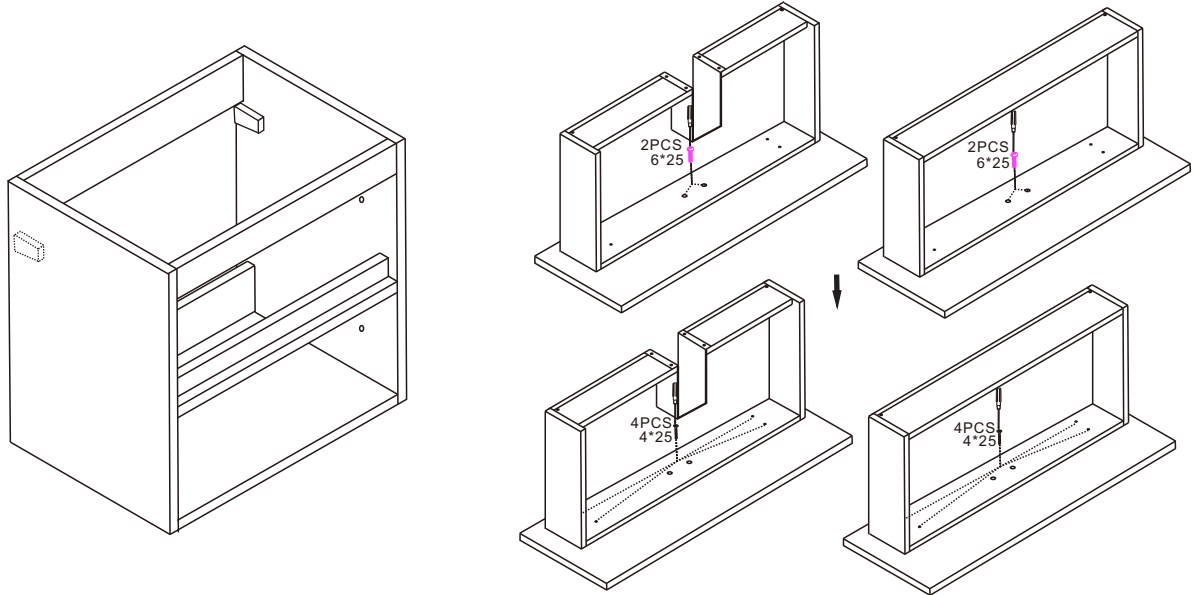
Assemble the faceplate to the cabinet body

Assemble the handles to the cabinet body

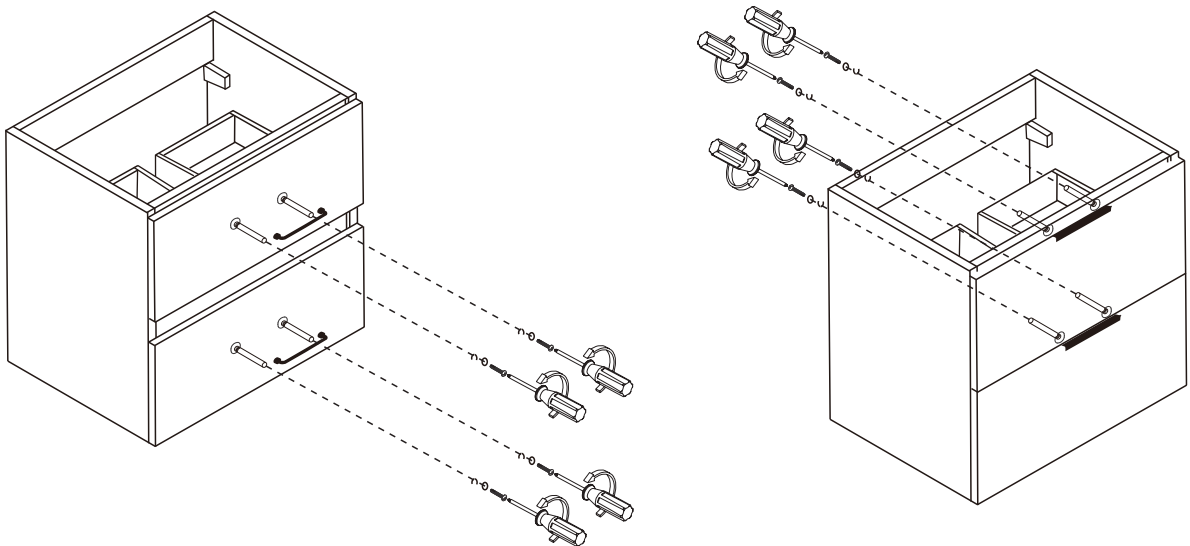
1



2

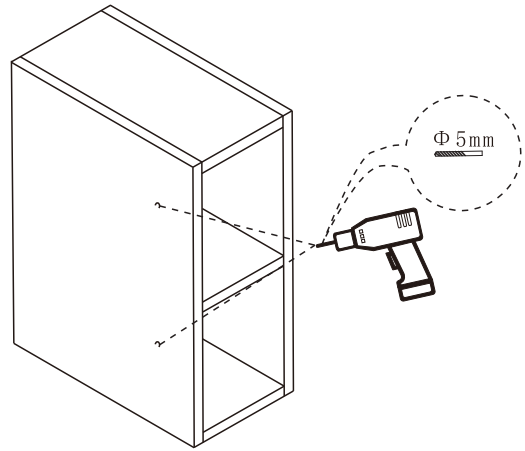
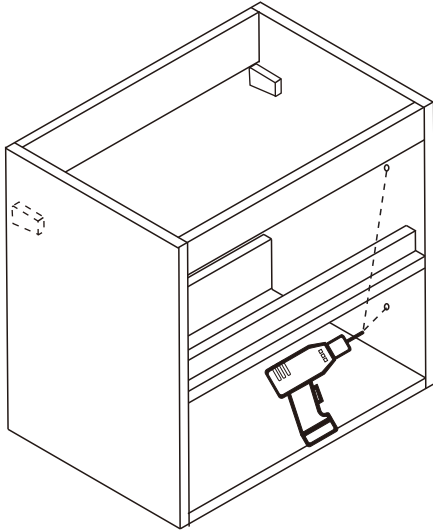


3



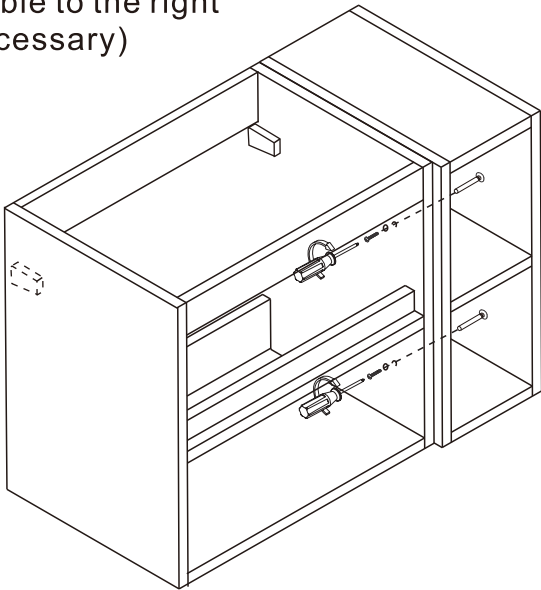
Install wall hung cabinet
Assemble the main cabinet to the small side cabinet

1

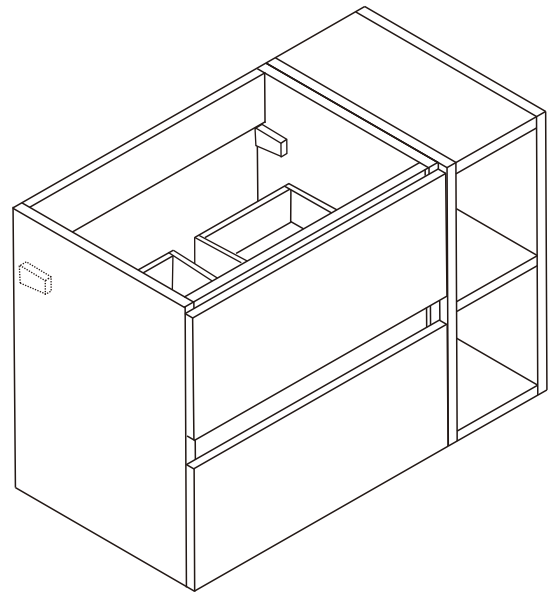


2

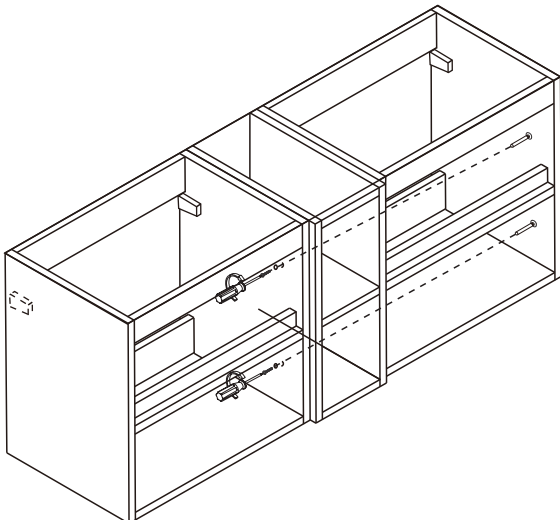
Main cabinet can be assembled to the right (if necessary)



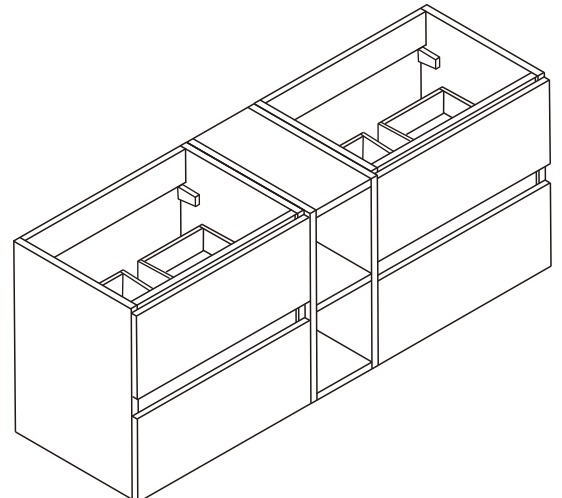
3



3



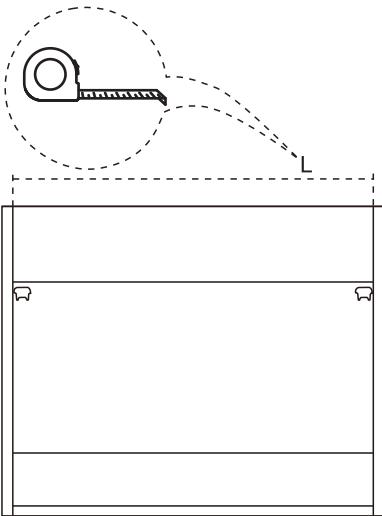
4



Wall hung unit installation.(fixings in box)

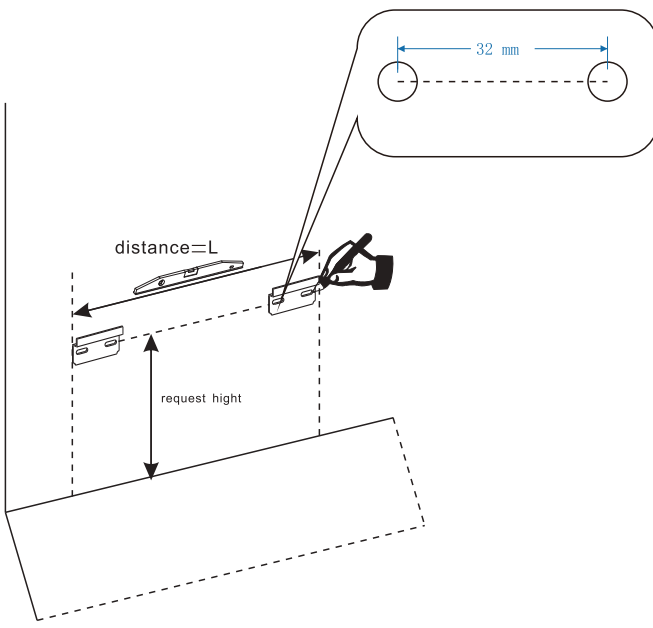
Please measure the L distance between each brackets on unit. and H (height as customers request. The standard height is 850mm (including basin height) from floor to wash basin

1

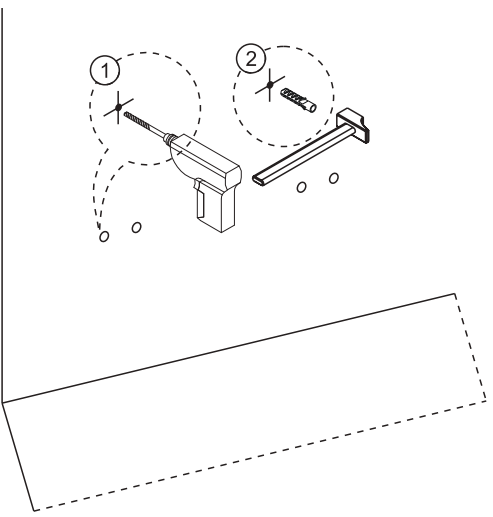


Cabinet	Hole distance (L)
600mm	570mm
800mm	770mm

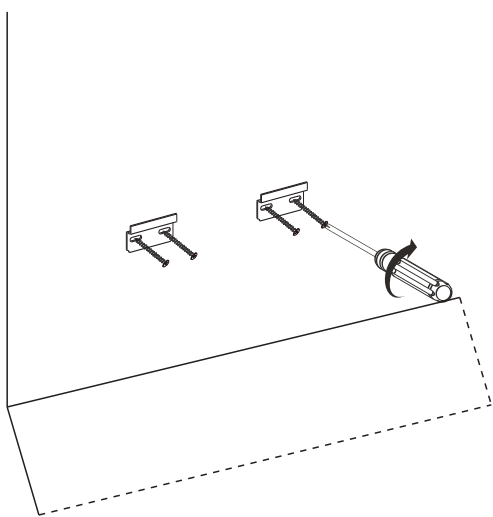
2



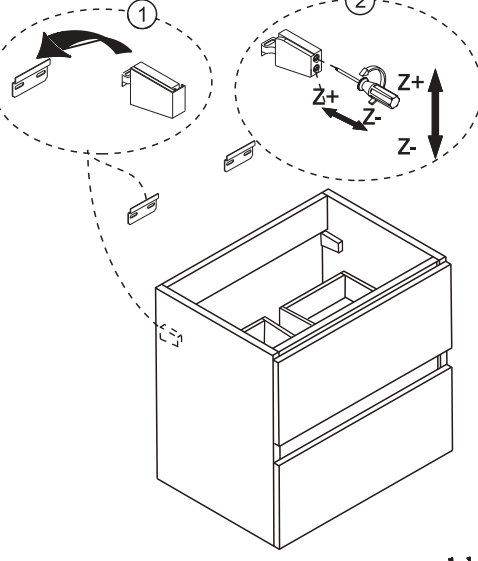

3



4

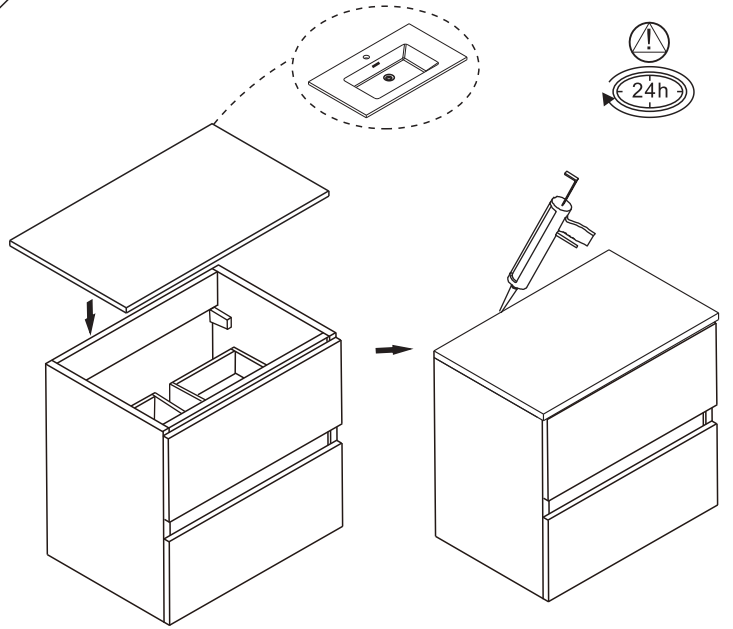


5

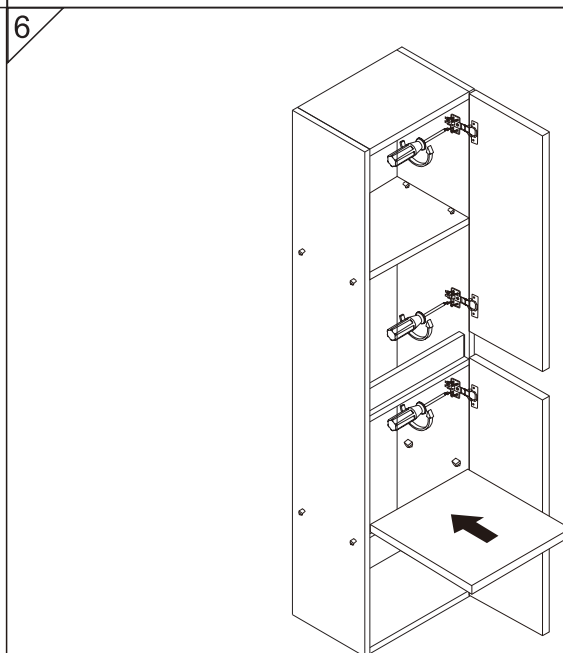
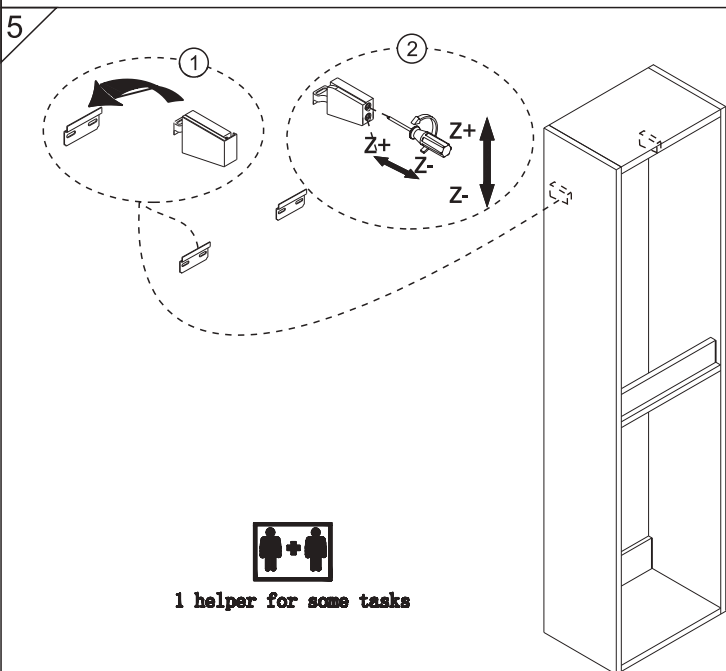
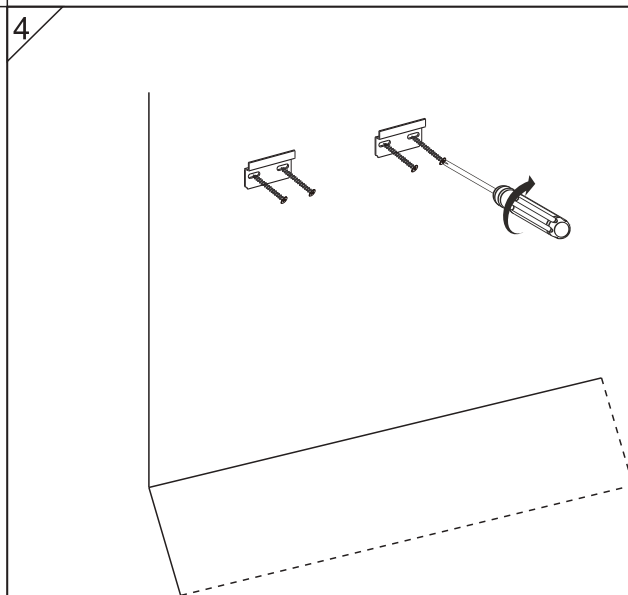
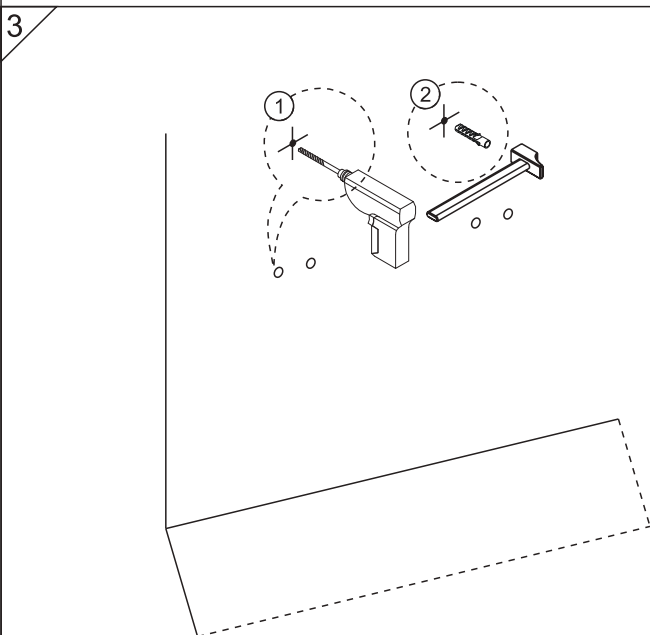
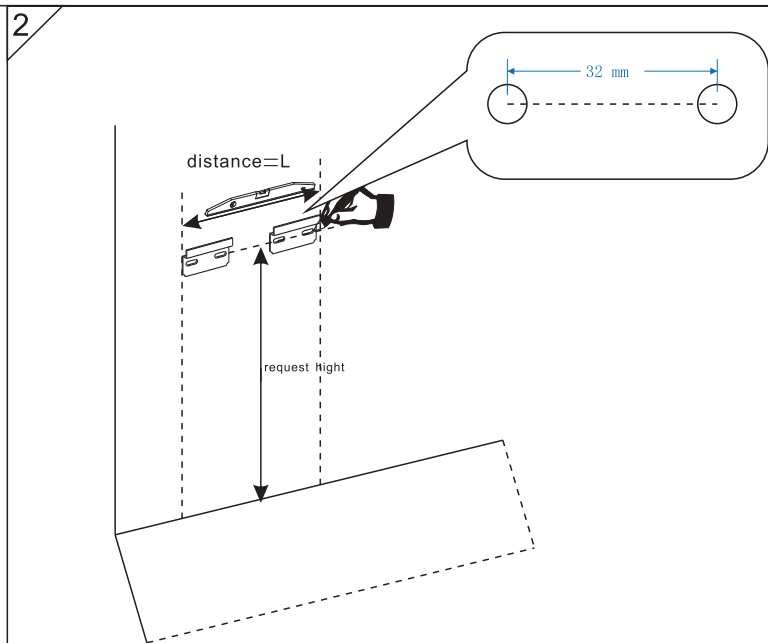
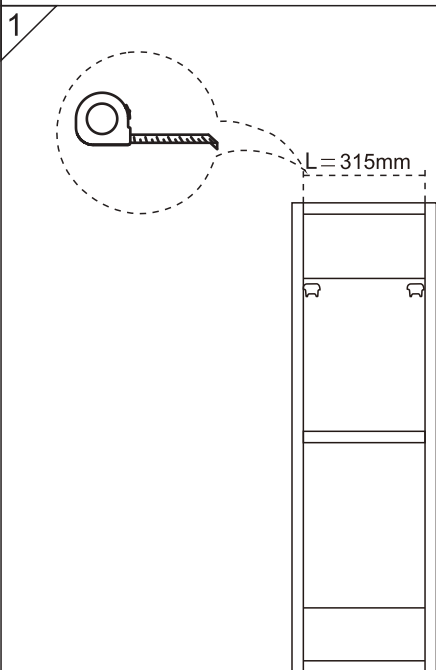
1 helper for some tasks

6

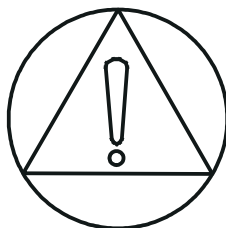
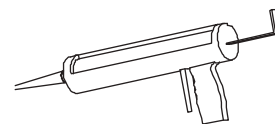
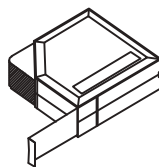
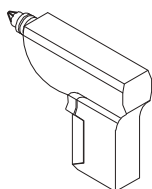
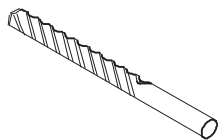
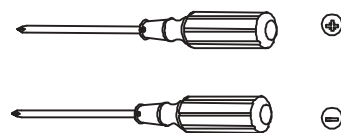
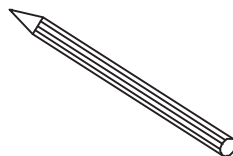
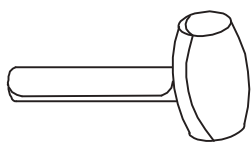
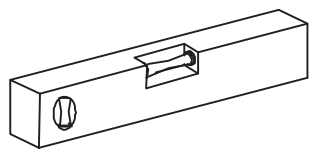


Install side cabinet

Assemble the faceplates to the side cabinet body



Tools required for installations



- Clean with a soft cloth & warm soapy water only
- Do not use abrasive cleaning agents
- Dry unit with a cloth after use

For more information

- visit Homedepo.eu
- email info@homedepo.eu
- call +36501227311
- 6773 Klárafalva, Ipari Park 058/16